

EX250Plus and EX800Plus General Purpose Contacting Extensometers

EXPlus general purpose contacting extensometers are designed for accurate strain and extension measurement of a wide range of materials such as semi-rigid plastics, elastomers, rubbers, wire, cable, textiles and more, up to a maximum sample thickness of 25 mm.

Available in two travel lengths, the EXPlus extensometer can be fitted to any Lloyd Instruments EZ and Plus Series materials testing machine. 'Plug & play' technology makes it is easy to install and calibrate.

The extensometer is designed with great flexibility of adjustment to ensure easy and precise attachment to the sample and best ergonomic test positioning.

Two mounting platforms are available. The unit can be stand mounted on the test machine's anchor pin at the base of the machine, enabling it to rotate from side to side for best possible access to the test area. In addition, the unit can slide horizontally towards and away from the sample as well as having vertical adjustment to allow for different sized grips and samples to be fitted. Alternatively, the unit can be mounted at the side of the test machine.

For added flexibility, the extensometer arms can be locked open to simplify attachment to the sample.

The two models, EX250Plus and EX800Plus, provide travel up to 250 mm and 800 mm respectively.

Features

- Meets BS EN ISO 9513 : 2002
- Rugged construction allows specimens to be tested through failure
- Rubber buffers absorb impact loads at sample break to safeguard extensometer arms
- Two travel lengths available depending on elongation of sample under test
- One cable connection to material test machine - no extra electronics required
- Suitable for tension and compression testing
- Vertical, horizontal and rotational extensometer position movement for easy access and attachment to sample (depending on mounting platform used)
- Low friction bearings and lightweight arms minimise inertia allowing sample movement to be instantly transferred
- Uses 'plug & play' technology - once plugged into the test machine, the extensometer is ready for testing
- Straight and round knife blades supplied as standard for attachment to different types of samples

Specifications

Measurement Principle:	Optical encoders
Accuracy:	0.5% of reading
Maximum Clamp Opening:	In full accordance with ISO 9513:2002 25 x 25 mm (standard) (0.98 x 0.98 in)
Maximum Elongation:	250 mm or 800 mm between arms (depending on model used)
Variable Gauge Lengths:	10 - 100 mm gauge setting with accuracy of 1%
Speed Range to Follow:	1.0 - 1200 mm/min
Temperature Range:	5°C to 35°C operating ambient
Resolution:	1.25 microns
Maximum Activation Force:	<0.2 N - static and dynamic
Net Weight:	
EX250Plus extensometer:	6.5 kg (stand weight 5.0 kg) Total 11.5 kg
EX800Plus extensometer:	10.0 kg (stand weight 5.5 kg) Total 15.5 kg



EX250Plus fitted to single column test machine



EX800Plus fitted to twin column test machine



Extensometer arms open to engage with sample



Extensometer arms closed and engaged with sample

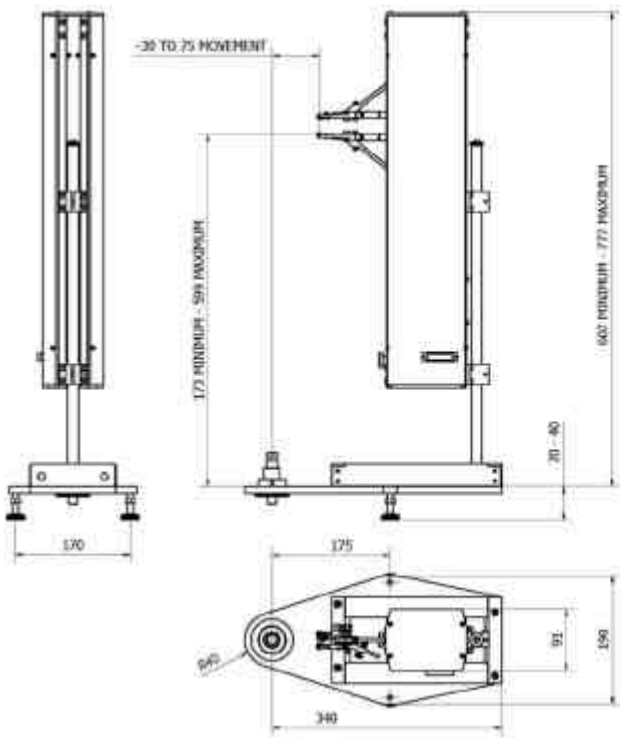
Accessories

Item	Part No	Item	Part No
Extensometer Stands:			
Anchor pin mounted 250 mm stand for use with LF Plus and LRX Plus machines:	01/3293/12	Knife Blades: Knife Blade - Disk Knife Blade - Parallel Knife Blade - Convex	KNE/0047 KNE/0048 KNE/0049
for use with LR5K Plus, LR10K Plus, LR30K Plus, LR50K Plus, EZ20 and EZ50 machines:	01/3293/18		
for use with LS100 Plus machine	01/3293/22		
Anchor pin mounted 800 mm stand for use with LF Plus and LRX Plus machines:	01/3294/12		
for use with LR5K Plus, LR10K Plus, LR30K Plus, LR50K Plus, EZ20 and EZ50 machines:	01/3294/18		
for use with LS100 Plus machine	01/3294/22		
Machine column swing mounted stand	01/3336		

Disk knife blade

Parallel knife blade

Dimensions



Multi-positioning of the Extensometer

For optimum access to the sample, the extensometer is shown slid back horizontally on its base, moved vertically to accommodate larger grips and for preferred testing position, the stand is shown rotated to the left of the machine base and the arms are shown locked open.

Note: Diagram shows EX250Plus 250 mm travel extensometer mounted on an anchor pin mounted stand. Add 550 mm to height dimension for EX800Plus extensometer.

Ordering Information

Model	Part No	Description
EX250Plus	01/3269	250 mm Travel General Purpose Contacting Extensometer
EX800Plus	01/3270	800 mm Travel General Purpose Contacting Extensometer

AMETEK
TEST & CALIBRATION INSTRUMENTS



www.ametek.com

UK
Lloyd Instruments Ltd
12 Barnes Wallis Road
Segensworth East, Fareham
Hants, PO15 5TT

Tel +44 (0)1489 486 399
Fax +44 (0)1489 885 118
E-mail uk-far.general@ametek.co.uk
Web www.lloyd-instruments.co.uk

USA
AMETEK TCI Division
8600 Somerset Drive
Largo
Florida 33773

Tel +1 (727) 536 7831
Fax +1 (727) 539 6882
E-mail chatillon.fl-lar@ametek.com
Web www.lloyd-instruments.co.uk

Far East
AMETEK Singapore Pte Ltd
10 Ang Mo Kio Street 65
#05-12 Techpoint
SINGAPORE 569059

Tel +65 6484 2388
Fax +65 6481 6588
E-mail aspl@ametek.com.sg
Web www.lloyd-instruments.co.uk

France
Lloyd Instruments S.A.S.
3, Avenue des Coudriers
Zone d'activité de l'observatoire
78180 Montigny Le Bretonneux

Tel +33 (0)1 30 57 47 74
Fax +33 (0)1 30 57 50 33
E-mail general@lloyd-instruments.com
Web www.lloyd-instruments.fr

Germany
AMETEK GmbH
Rudolf-Diesel-Straße 16
D-40670 Meerbusch

Tel +49 (0)2159 9136-70
Fax +49 (0)2159 9136-80
E-mail info@ametek.de
Web www.ametek.de