

## Adaptor Catalogue



Adaptor Catalogue

<b>Set Screws .....</b>	<b>Page 3</b>
<b>Thread Adaptors .....</b>	<b>Page 3</b>
<b>Thread Couplers .....</b>	<b>Page 3</b>
<b>5/8 Eye End Adaptors .....</b>	<b>Page 4</b>
<b>Grip Pins .....</b>	<b>Page 4</b>
<b>Eye End Adaptors .....</b>	<b>Page 4</b>
<b>Locking Rings .....</b>	<b>Page 5</b>
<b>Load Cell Eye Ends .....</b>	<b>Page 5</b>
<b>Machine Anchor Pins .....</b>	<b>Page 5</b>
<b>Crosshead Fixing Bolts .....</b>	<b>Page 5</b>
<b>C-Spanners .....</b>	<b>Page 6</b>
<b>POGO Extension Rods .....</b>	<b>Page 6</b>
<b>Universal Joints .....</b>	<b>Page 6</b>

A range of adaptors for grips, fixtures and load cells

Part Number	Set Screws	Quantity	Rating
3127	Set screw, #10-32M thread 3/16 inch long	Single	500N
3157	Set screw, #10-32M thread 3/4 inch long	Single	500N
NC002686	Set screw, 5/16-18M thread 1 inch long	Single	500N
P-10020	Set screw, 5/16-18M thread 11/16 inch long	Single	500N
P-10269	Set screw, #10-32M thread 3/4 inch long	Single	500N



Part Number	Thread Adaptors	Quantity	Rating
17039	Thread Adaptor, one end #10-32M other end 1/4-28M	Single	500N
NC000686	Thread Adaptor, one end #10-32M other end 5/16-18M	Single	500N
NC000296	Thread Adaptor, one end 1/4-28M other end 5/16-18M	Single	500N
17162	Thread Adaptor, one end 1/2-20M other end 5/16-18M	Single	500N



Part Number	Thread Couplers	Quantity	Rating
1760	Threaded Coupler, one end #10-32F other end #10-32F	Single	500N
17057	Threaded Coupler, one end #10-32F other end 1/4-20F	Single	500N
17056	Threaded Coupler, one end 1/4-20F other end 5/16-18F	Single	500N
13048	Threaded Coupler, one end 1/4-28F other end 5/16-18F	Single	500N

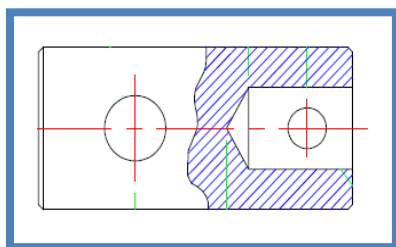


Part Number	5/8 inch Eye End Adaptors	Quantity	Rating
SPK-EYE-1032F	5/8 inch Eye End with #10-32F thread in one end	Single	10kN
ADT/0115/00	5/8 inch Eye End with 5/16-18F thread in one end	Single	10kN
SPK-EYE-1032M	5/8 inch Eye End with #10-32M stud in one end	Single	10kN
SPK-EYE-2528M	5/8 inch Eye End with 1/4-28M stud in one end	Single	10kN
SPK-AFG-1032F	5/8 inch socket with #10-32F thread in one end	Single	10kN
SPK-SFG-2520F	5/8 inch socket with 1/4-20F thread in one end	Single	10kN
SPK-AFG-2528F	5/8 inch socket with 1/4-28F thread in one end	Single	10kN
ADT/0329/00	5/8 inch socket with 3/8-16M stud in one end	Single	10kN
ADT/0291/00	5/8 inch socket with M6F thread in one end	Single	10kN
01/4220	8mm male to 5/8 inch female adaptor for 01/4215 and 01/4216 Vice Grips	Single	100N

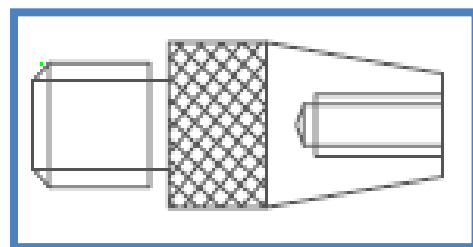


Part Number	Grip Pins	Quantity	Rating
NC000612	Grip Pin for 5/8 inch eye ends	Single	10kN
PIT/0169/00	Grip Pin for 5/8 inch eye ends	Single	10kN
PIN/0061/00	Grip Pin for 1-1/4 inch eye ends	Single	150kN
PIN/0343/00	Grip Pin for 50mm inch eye ends	Single	300kN

Part Number	Eye End Adaptors	Quantity	Rating
ADT/0030/00	Eye end enlarger, increases 5/8 inch eye end to 1-1/4 inch. Requires 1 PIN/0061/00 per adaptor	Single	20kN
ADT/0275/00	Food probe adaptor, M12M to M6F, allows food probes to be fitted to 1, 2.5, 5 and 10kN load cell's	Single	10kN

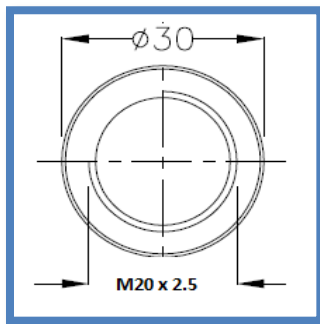


ADT/0030/00

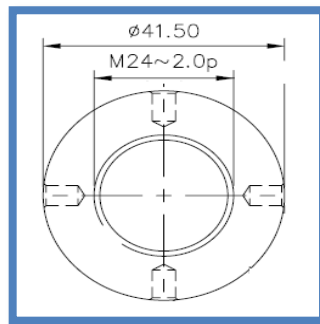


ADT/0275/00

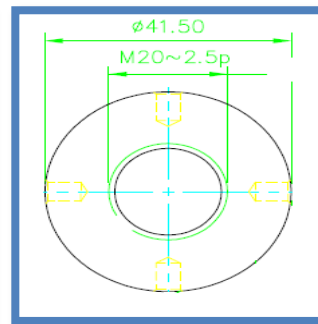
Part Number	Locking Rings	Quantity	Rating
NTT/0139/00	Locking ring for eye ends, 30mm OD, M20 x 2.5 ID, used on 500N load cells down to 5N Load cell	Single	500N
NTT/0151/00	Locking ring for eye ends, mm 41.5mm OD, M20 x 2.0 ID, used on 1kN to 10kN and 100kN XLC load cells	Single	100kN
NTT/0150/00	Locking ring for eye ends, mm 41.5mm OD, M24 x 2.5 ID, used on 20kN to 50kN XLC load cells	Single	50kN
NTT/0144/00	Locking ring for eye ends, mm 70mm OD, M36 x 2.0 ID, used on LR100K Plus AND LR150K Plus	Single	150kN
NTT/0151/00	Also used on LF Plus, LRX Plus, EZ20, LR30K Plus, EZ50, LR50K Plus and LS100K Plus anchor pin	Single	100kN



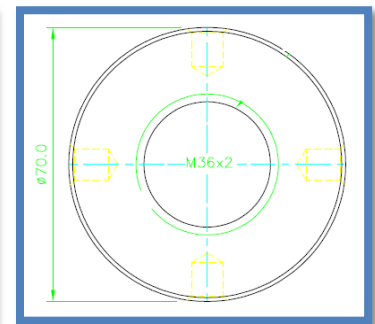
NTT/0139/00



NTT/0151/00



NTT/0150/00



NTT/0144/00

Part Number	Loadcell Eye Ends	Quantity	Rating
EET/0088/00	5/8 inch eye end for 5N to 500N XLC load cells	Single	10kN
PIN/0322/00	5/8 inch eye end for 1kN to 10kN XLC load cells	Single	10kN
ADT/0153/00	5/8 inch eye end for 20kN to 50kN XLC load cells	Single	10kN
ADT/0246/00	5/8 inch eye end for 100kN XLC load cells	Single	10kN
ADT/0118/00	5/8 inch eye end for 100kN HLC load cells, used on LR100K and LR150K Plus	Single	10kN
ADT/0152/00	1-1/4 inch eye end for 20kN to 50kN XLC load cells	Single	10kN
ADT/0244/00	1-1/4 inch eye end for 100kN XLC load cells	Single	150kN
ADT/0117/00	1-1/4 inch eye end for 100kN HLC load cells, used on LR100K Plus AND LR150k Plus	Single	150kN

Part Number	Machine Anchor Pins	Quantity	Rating
PIN/0322/00	5/8 inch used on LF Plus, LRX Plus, LR5K Plus and LR10K Plus	Single	10Kn
PIN/0257/00	5/8 inch anchor pin for EZ20, LR30K Plus, EZ50, LR50K Plus	Single	10kN
PIN/0258/00	1-1/4 inch anchor pin for EZ20, LR30K Plus, EZ50, LR50K Plus	Single	150kN
PIN/0412/00	1-1/4 inch anchor pin for LS100K Plus	Single	150kN
PIN/0415/00	5/8 inch anchor pin for LS100K Plus	Single	150kN
ADT/0117/00	1-1/4 inch eye end for 100kN HLC load cells, used on LR100K Plus and LR150k Plus	Single	150kN

Part Number	Crosshead Fixing Bolts	Quantity	Rating
70108412025	M12 x 25mm for LF Plus, LRX Plus and LS Series	Single	5kN
ADT/0148/00	M12 x 1.75P for LR5K Plus and LR10K Plus	Single	10kN
ADT/0150/00	M12 x 1.75P for LR30K Plus, LR50K Plus, EZ50	Single	50kN
ADT/0151/00	M20 x 2.5P for LR30K Plus, LR50K Plus, EZ50	Single	50kN
ADT/0258/00	M24 x 2.0P for LS100K Plus	Single	100kN

Part Number	C-Spanners	Quantity	Rating
SPT/0243/00	70mm C-Spanner for LS Series, 100kN and 150kN locking rings	Single	N/A
SPT/0244/00	42mm C-Spanner for 1kN to 100kN XLC locking rings	Single	N/A

Part Number	Pogo Extension Rods	Quantity	Rating
01/3720/05	500mm long pogo rod for connection to 5/8 inch eye ends	Single	10kN
01/3720/06	600mm long pogo rod for connection to 5/8 inch eye ends	Single	10kN
01/3720/07	700mm long pogo rod for connection to 5/8 inch eye ends	Single	10kN
01/3720/08	800mm long pogo rod for connection to 5/8 inch eye ends	Single	10kN
01/3720/09	900mm long pogo rod for connection to 5/8 inch eye ends	Single	10kN
01/3720/10	1000mm long pogo rod for connection to 5/8 inch eye ends	Single	10kN

Part Number	Universal Joints	Quantity	Rating
01/2380	TTUJ6 100kN Universal Joint 1 1/4 inch eye end	Single	100kN
01/2381	TTUJ7 30kN Universal Joint 5/8 inch eye end	Single	30kN



**AMETEK**<sup>®</sup>  
TEST & CALIBRATION INSTRUMENTS

**United Kingdom**

Tel +44 (0) 1243 833 370  
uk-far.general@ametek.co.uk

**France**

Tel +33 (0)1 30 68 89 40  
general.lloyd-instruments@ametek.fr

**Germany**

Tel +49 (0)2159 9136 510  
info.mct-de@ametek.de

**Denmark**

Tel +45 4816 8000  
ametekdk@ametek.com

**USA**

Tel +1 (727) 538 6000  
chatillon.fl-lar@ametek.com

*California*

Tel +1 (800) 444 1850  
sales@crystalengineering.net

**India**

Tel +91 22 2836 4750  
ametekdk@ametek.com

**Singapore**

Tel +65 6484 2388  
uk-far.general@ametek.co.uk

**China**

*Shanghai*  
Tel +86 21 5868 5111  
lloyd@ametek.com.cn

*Beijing*

Tel +86 10 8526 2111  
lloyd@ametek.com.cn

*Guangzhou*

Tel +86 20 8363 4768  
lloyd@ametek.com.cn